

Wide base plate connector clamps

Aluminium / split assembly

SPECIFICATION

Identification No.

No. **2**: with 2 Stainless Steel-Clamping screws DIN 912

Aluminium

plastic coated
black, RAL 9005, textured finish **SW**

blank
matt shot-blasted **BL**

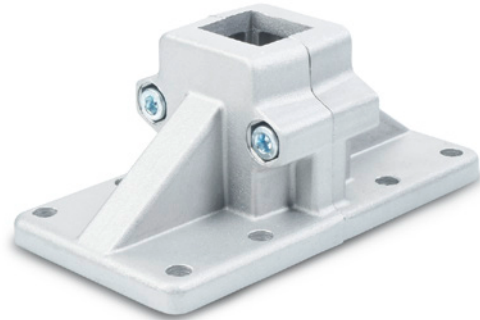
Clamping bores not machined

Socket cap screws DIN 912

Stainless Steel AISI 304

Hexagon nuts DIN 985

Stainless Steel AISI 304



INFORMATION

The clamping bores of GN 167 wide base plate connector clamps are not machined and specially designed for construction tubes GN 990 (see page 1902) or DIN 2391, DIN 2395 and DIN 2462 respectively.

The square designs are also suitable for use in **profile systems**.

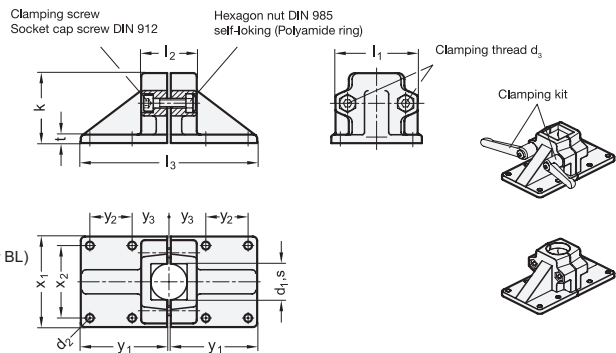
The standard version of the clamping screws are socket cap screws with hexagonal socket DIN 912. They can be replaced by clamping kits GN 911 (see page 1874) (article code see table of dimensions).

ACCESSORY

- Clamping kits GN 911 (see page 1874)

TECHNICAL INFORMATION

- Stainless Steel characteristics (see page A26)



* Complete with colour index of the Wide base plate connector clamps (SW or BL)

SW **BL**
RAL9005 blank

GN 167

Description	d1	s	d2	d3	k	l1	l2	l3	t	x1	x2	y1	y2	y3	Clamping kits for d3	△
GN 167-B20-2-*	B 20	-	7	M 8	58	69	46	146	7	75	60	72	35	30	GN 911-M8-40	394
GN 167-B25-2-*	B 25	-	7	M 8	58	69	46	146	7	75	60	72	35	30	GN 911-M8-40	388
GN 167-B30-2-*	B 30	-	7	M 8	58	69	46	146	7	75	60	72	35	30	GN 911-M8-40	384
GN 167-B40-2-*	B 40	-	11	M 10	91	98	70	218	14	75	60	72	35	30	GN 911-M8-40	222
GN 167-B42-2-*	B 42	-	11	M 10	91	98	70	218	14	115	90	108	50	45	GN 911-M10-63	1194
GN 167-B45-2-*	B 45	-	11	M 10	91	98	70	218	14	115	90	108	50	45	GN 911-M10-63	1182
GN 167-B48-2-*	B 48	-	11	M 10	91	98	70	218	14	115	90	108	50	45	GN 911-M10-63	1172
GN 167-B50-2-*	B 50	-	11	M 10	91	98	70	218	14	115	90	108	50	45	GN 911-M10-63	1154
GN 167-V20-2-*	-	V 20	7	M 8	58	69	46	146	7	75	60	72	35	30	GN 911-M8-40	398
GN 167-V25-2-*	-	V 25	7	M 8	58	69	46	146	7	75	60	72	35	30	GN 911-M8-40	374
GN 167-V30-2-*	-	V 30	7	M 8	58	69	46	146	7	75	60	72	35	30	GN 911-M8-40	368
GN 167-V40-2-*	-	V 40	11	M 10	91	98	70	218	14	115	90	108	50	45	GN 911-M10-63	1176
GN 167-V45-2-*	-	V 45	11	M 10	91	98	70	218	14	115	90	108	50	45	GN 911-M10-63	1148
GN 167-V50-2-*	-	V 50	11	M 10	91	98	70	218	14	115	90	108	50	45	GN 911-M10-63	1094

Weight BL

